

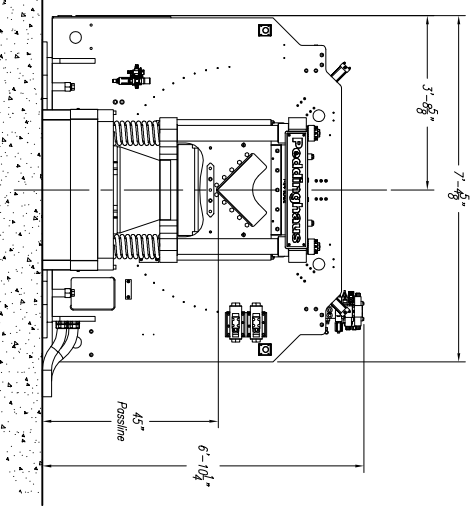
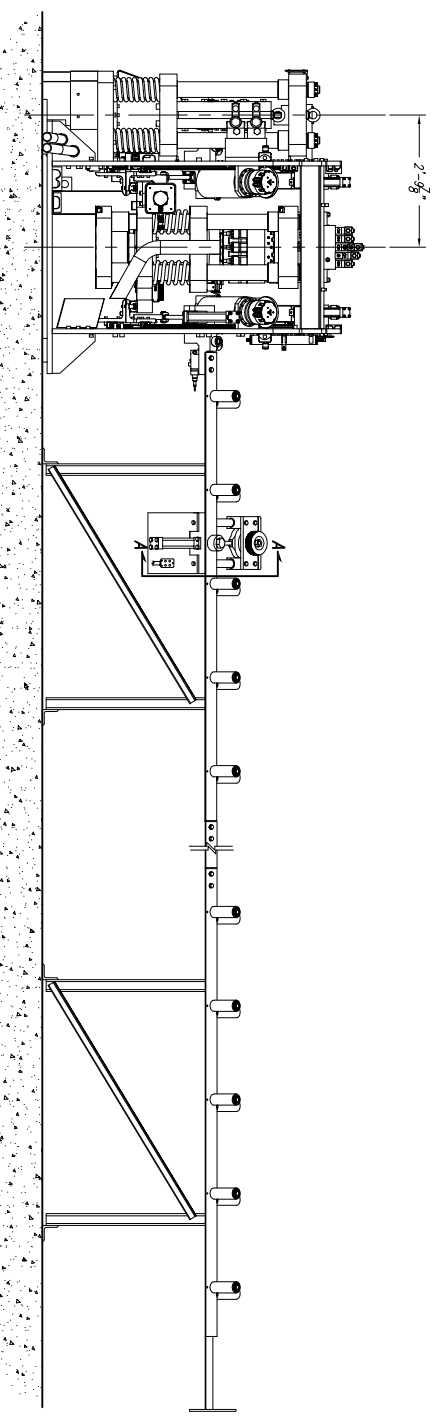
CABLE DUCT DETAIL
 CUSTOMER TO SUPPLY COVER: 1/4" THK. X 7 1/4" WIDE
 INSTALLED AFTER FINAL FIELD WIRING & PIPING

GENERAL NOTES

- 1) PASSLINE OF EQUIPMENT BASED ON 45" FROM FLOOR
- 2) CONCRETE FLOOR UNDER SYSTEM TO BE MINIMUM OF 6" THICK
- 3) HORSEPOWER FOR SYSTEM = 25 HP. 62 K.V.A. (77 Amps)

CUSTOMER SUPPLIED

- 5a) PRIMARY 480 V. / 3 PH. / 60 HZ. [REQD. @ EACH]
- 5b) AIR REQUIREMENT: 80 PSIG, 5 SCFM MINIMUM FREE AIR [REQD. @ EACH]
- 5c) MOBIL DTE #24 OR AMERICAN #15 HYDRAULIC OIL OR EQUAL [REQD. @ EACH] 110 GAL. TOTAL
- 5d) EQUIPMENT TO BE IN AREA OF FINAL INSTALLATION
- 5e) WELDING MACHINE, 2" SQUARE, 2" & 4" LEVELS, TRANSIT, SLEDGE HAMMER, "C" CLAMPS & WRENCHES
- 5f) ANCHOR BOLTS, 1 1/2" ITW RED HEAD WS-1270 OR EQUAL [48 REQD.]
- 5g) CUTTING TORCH, 8" PORT-A-POWER & BODY GRINDER
- 5h) (3) MEN TO HELP INSTALL EQUIPMENT: (1) ELECTRICIAN & (2) MAINTENANCE
- 5i) 1-1/2 TON, "COME-A-LONG" & 100' STEEL TAPE
- 5k) EQUIPMENT IS SHIPPED IN SUB-ASSEMBLIES AND SHOULD BE UNCRATED, ASSEMBLED, POSITIONED AND ROUGH LEVELED BY CUSTOMER. DO NOT BOLT EQUIPMENT TO FLOOR !!!
- 5l) Network/Internet Connection for Data Transfer and Remote Diagnostics [Reqd @ Each]



REVISION/CN #	BY	DATE	DESCRIPTION
E			
D			
C			
B			
A			
LET			

THIS DRAWING IS THE PROPERTY OF PEDDINGHAUS CORP. AND IS NOT TO BE USED IN ANY MANNER WITHOUT THE WRITTEN PERMISSION OF SAID COMPANY.

Peddinghaus Corp.
 BRADLEY, ILL. U.S.A.
 AFCS 833 A Anglemaster
 FOR

URGENT SAFETY NOTE: Because of the complexity of this system, the full length of the system is not to be installed until the customer has received the necessary training from Peddinghaus Corp. for safe operation.
 DRAWN BY: J. Alford
 SCALE: 1/2" = 1'
 DATE: []
 DWG. NO. []